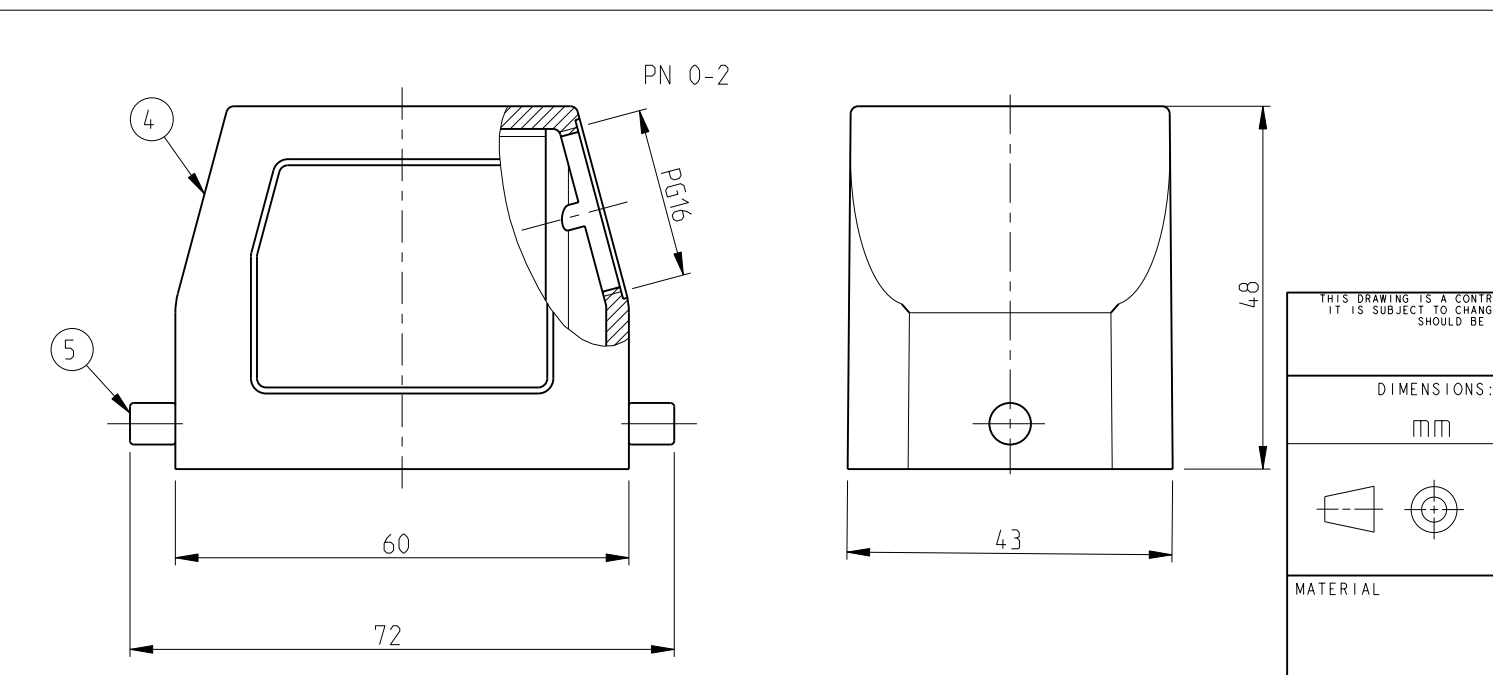
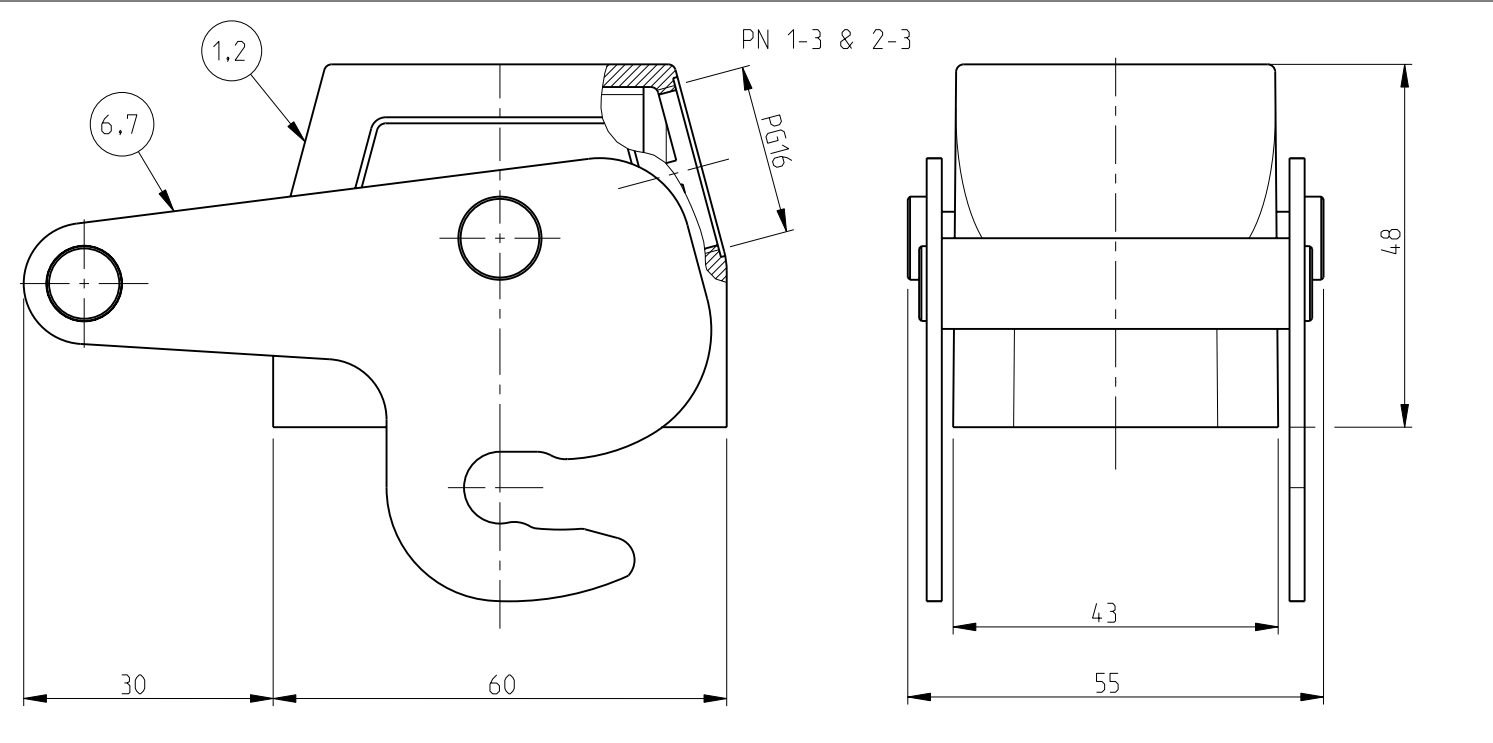
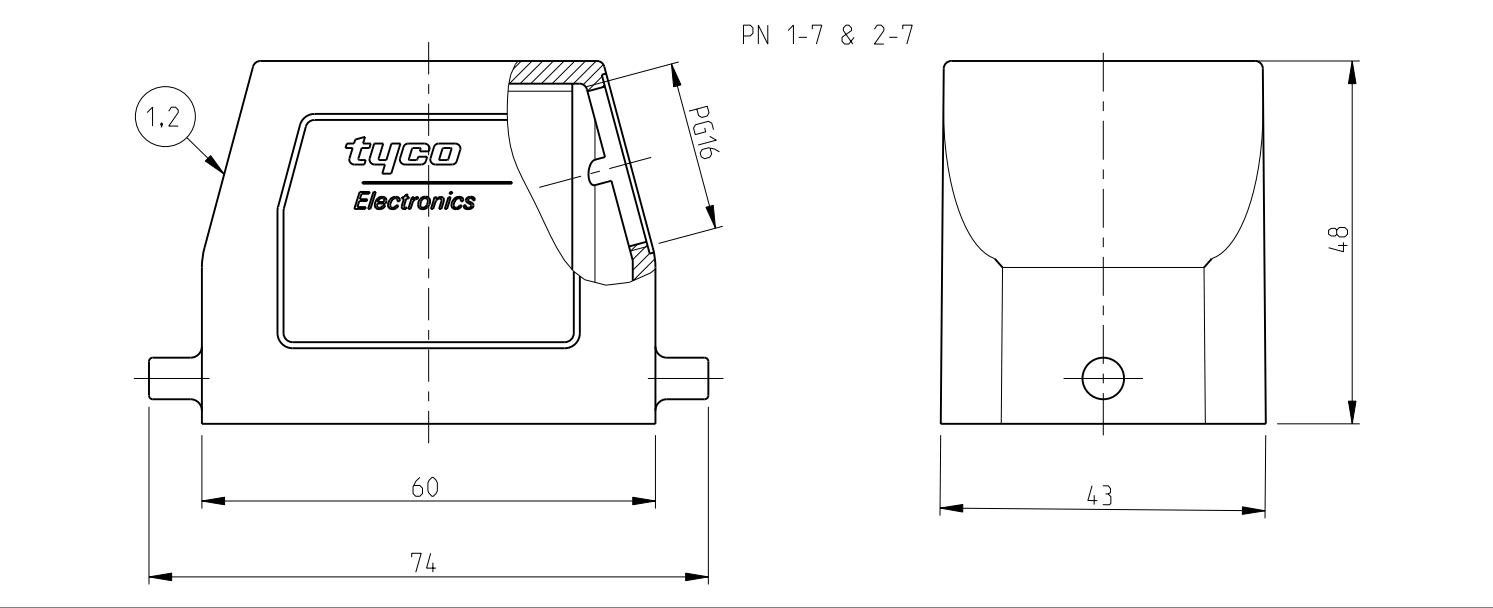
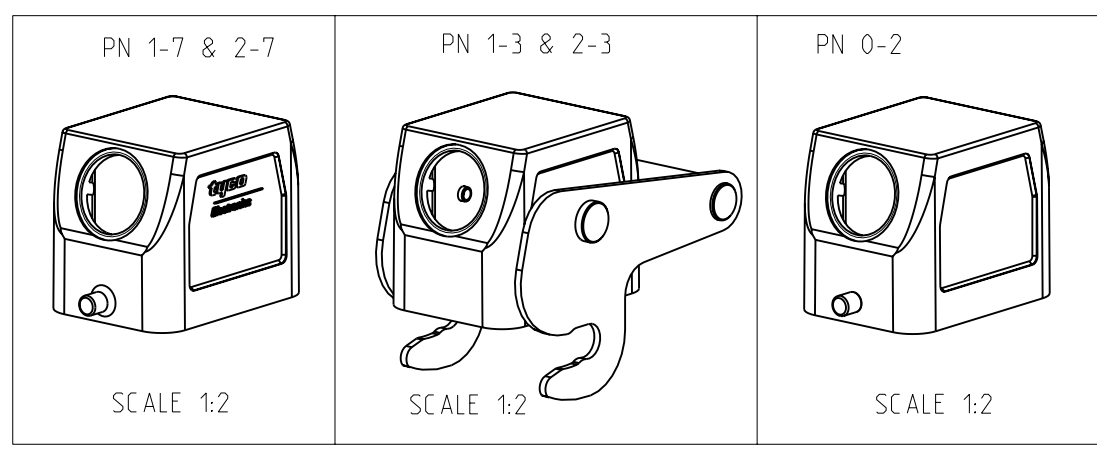


THIS DRAWING IS UNPUBLISHED. RELEASED FOR PUBLICATION 1997
 © COPYRIGHT 1997 BY TYCO ELECTRONICS CORPORATION. ALL RIGHTS RESERVED.

| LOC | DIST | REVISIONS | | | |
|-----|------|-------------|-------------------------------|-------------|-------|
| P | LTR | DESCRIPTION | DATE | DWN | APVD |
| A1 | | A6 | Released as per ECR-08-005944 | 06.Mar.2008 | SP TS |



- Notes
- 1 Material: Housing: Aluminium diecasting alloy
 - 2 Surface:- Varnish-grey/White
-Aluminium oxide+Varnish black
 - 3 Varnish on the inside not necessary
 - 4 Packaging
Packaging quantity: 5 pieces in a box



OBSOLETE

| 0-2 | 0-1 | 2-3 | 1-3 | 2-7 | 1-7 | DESCRIPTION | MATERIAL | SURFACE | COLOR | ITEM NO | NOTES |
|-----|-----|-----|-----|-----|-----|-----------------|-----------------|-----------------|-------|---------|------------------------------------|
| - | 1 | 1 | - | - | - | Central clip-ZB | Stainlees steel | Blank | - | 7 | |
| - | - | - | 1 | - | - | Central clip-ZB | Steel | Zinc plated | Blue | 6 | |
| 2 | - | - | - | - | - | LB-Clip bolt | Stainlees steel | Blank | - | 5 | |
| 1 | - | - | - | - | - | Hood HB | Aluminium | - | White | 4 | Without bolt |
| - | 1 | - | - | - | - | Hood HB | Aluminium | - | Grey | 3 | Also 2xM3 for identification plate |
| - | - | 1 | - | 1 | - | Hood HB-K | Aluminium | Aluminium oxide | Black | 2 | |
| - | - | - | 1 | - | 1 | Hood HB | Aluminium | - | Grey | 1 | |

ORDERING TEXT

HB.6.STS.1.16.G
 HB-K.6.STS.1.16.G
 HB-Z.6.STS-ZB.1.16.G
 HB-K/Z.6.STS-ZB.1.16.G
 HB.6.STS.1.16.G.S0
 HB.6.STS.1.16.G

THIS DRAWING IS A CONTROLLED DOCUMENT FOR TYCO ELECTRONICS CORPORATION IT IS SUBJECT TO CHANGE AND THE CONTROLLING ENGINEERING ORGANIZATION SHOULD BE CONTACTED FOR THE LATEST REVISION.

| | | |
|---|------------|--|
| DWN | 25.05.1999 | Tyco Electronics AMP GmbH D-53819, Neunkirchen, Germany |
| CHK | 25.05.1999 | |
| APVD | | |
| DIMENSIONS: mm | | NAME Hood HB.6.STS.1.16.G |
| TOLERANCES UNLESS OTHERWISE SPECIFIED: 0 PLC ± 1 PLC ± 2 PLC ± 3 PLC ± 4 PLC ± ANGLES ± | | |
| MATERIAL | | RESTRICTED TO |
| FINISH | | SIZE A3 |
| PRODUCT SPEC 108-74001/74003 APPLICATION SPEC 114-74001/74004/74005 | | CAGE CODE 00779 |
| WEIGHT | | DRAWING NO C=1102240 |
| CUSTOMER DRAWING | | SCALE 1:1 |
| | | SHEET 1 OF 1 |
| | | REV A6 |